

## 4 ACCESSORIES



**Use only parts and accessories mentioned in the operating instruction.  
Using other parts or accessories can cause injuries to you and other persons.**

### 4.1 Battery

The battery is not automatically supplied with the tool. The battery has to be ordered separately under the following item numbers.

Item-No.	Battery	Voltage	Capacity
N5.4337	Li-Ion	36 VDC	2.5 Ah
N5.4341	Li-Ion	36 VDC	4.0 Ah



### 4.2 Battery - chargers

The charger must be ordered separately according to below shown table.

Item-No.	Voltage / frequency	Admitted for country
N5.4453	220 - 240V / 50 - 60Hz	A, B, BG, BIH, BOL, BR, BY, CH, CL, CZ, D, DK, DZ, E, EAS, EST, ET, F, FIN, GE, GR, H, HK, HR, I, IL, IND, IR, IRQ, IS, JOR, KSA, KWT, L, LAR, LT, LV, MA, MC, MK, MOC, N, NL, P, PK, PE, PL, PRC, PY, RA, RCH, RI, RL, RO, ROK, ROU, RP, RUS, S, SK, SLO, SYR, THA, TN, TR, UA, UAE, YU, YV, (BRN), (BRU), (CY), (EAK), (EAT), (GB), (IRL), (M), (MAL), (OM), (SGP), (Y), (Z), (ZA), (ZW)
N5.4455	120V / 50 - 60Hz	BR, C, CDN, CO, CR, DOM, EC, GCA, J, JA, KSA, LB, MEX, NIC, PA, Puerto Rico, RC, RP, USA, YV
N5.4457	220 - 240V / 50 - 60Hz	AUS, NZ

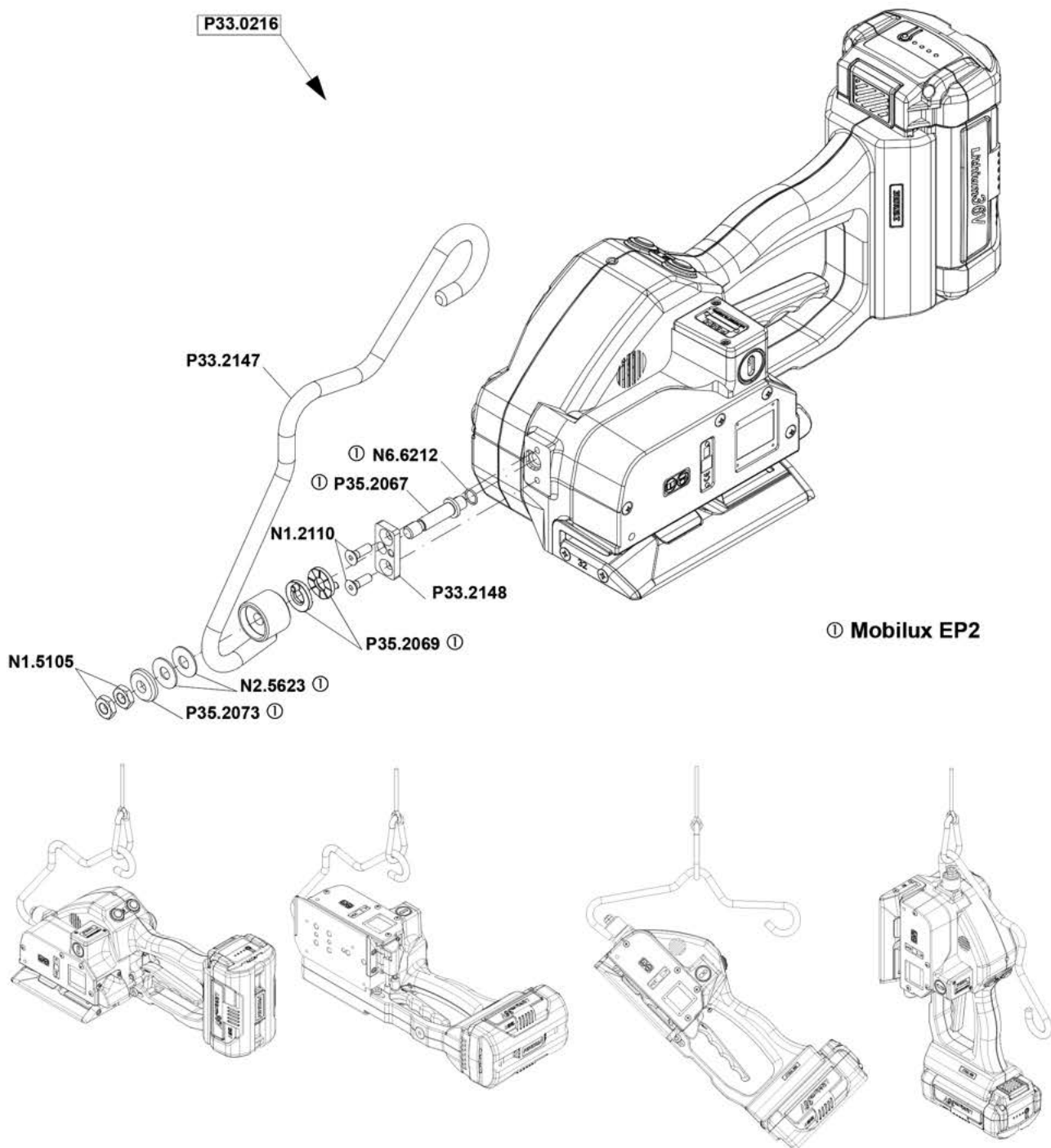
### Charging times

Item-No.	Battery	Charging time
N5.4337	Li-Ion	approx. 86 min.
N5.4341	Li-Ion	approx. 135 min.

### 4.3 Suspension

When working stationary the P331 can be suspended at a spring loaded balancer by using a suspension bracket. With the swivel mounted suspension bracket the package can be strapped in various working positions.

The complete suspension bracket can be ordered under item number P33.0216.



### 4.4 Turning button kit

For a remaining adjustment of tension force and welding time.

After exchanging of the turning buttons the adjustment can only be changed with the allen key (2mm) that comes with the kit. The kit can be ordered under the item number P32.2061.

## 4.5 Wearing plate

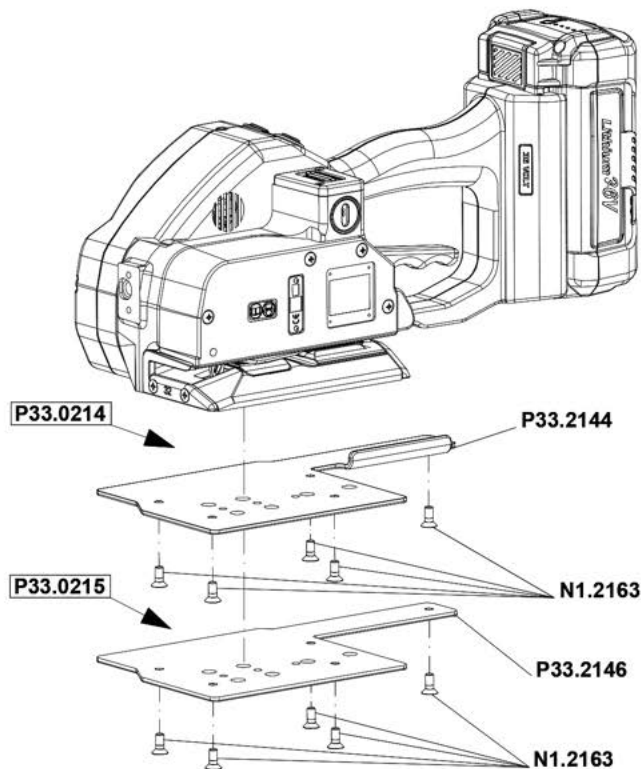
As an option, the tool can be equipped with a wearing plate to protect the base from excessive wear on abrasive package surfaces.

The complete wearing plate can be ordered together with the fastening screws under item number P33.0214.

## 4.6 Protection plate (plastic)

For using the P331 on packages with sensitive surface there can a plastic protection plate be mounted for protecting the package.

The complete protection plate can be ordered together with the fastening screws under item number P33.0215.



**COMPLETE PACKAGING PRODUCTS**  
**2661 AMERICAN DRIVE TROY, MI 48083**  
**866-787-2790**

**[WWW.COMPLETEPACKAGINGPRODUCTS.COM](http://WWW.COMPLETEPACKAGINGPRODUCTS.COM)**