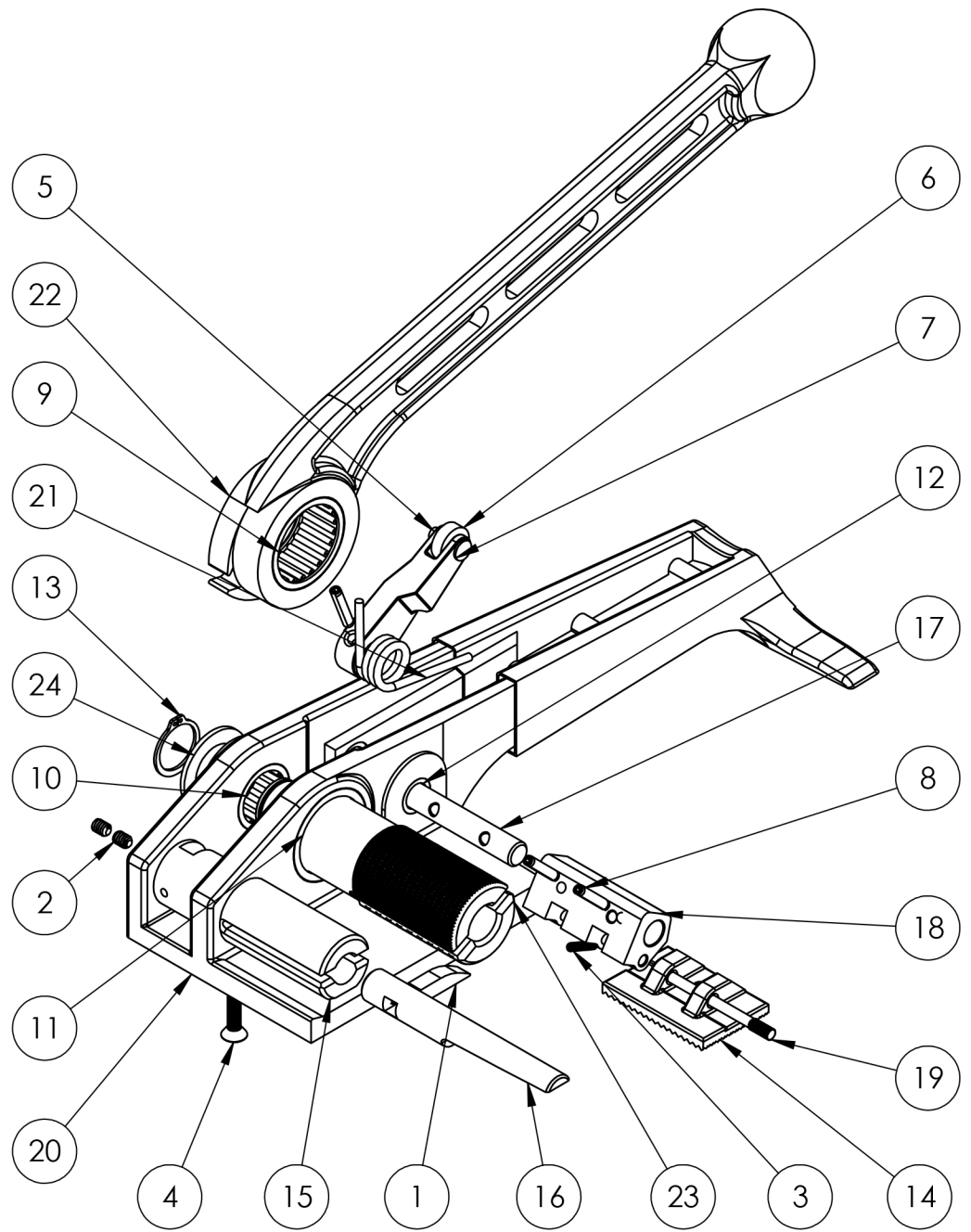


EP-1190 Parts List

ITEM NO.	PART NUMBER	DESCRIPTION	QTY.
1	E1150-01-C	Cutter Actuator Pin	1
2	E1150-01-D	Cutter Blade Set Screw	2
3	E1150-02-D	Gripper Foot Spring	1
4	E1150-04-A	Base Set Screw	1
5	E1150-07	Release Lever	1
6	E1150-07-A	Release Lever Roller	1
7	E1150-07-B	Rivet	1
8	E1150-08	Release Lever Roll Pin	3
9	E1150-09-A	Handle Bearing	1
10	E1150-10	Base Clutch Bearing	1
11	E1150-11	Base Large Bushing	1
12	E1150-12	Needle-Roller Bearing	2
13	E1150-13	Retaining Ring	1
14	E1192-02-F	Large Gripper Foot	1
15	E1195-01-A	Cutter Housing	1
16	E1195-01-B	Cutter Blade	1
17	E1195-02-A	Gripper Foot Pin	1
18	E1195-02-B	Gripper Foot Housing	1
19	E1195-02-E	Gripper Foot Holding Pin	1
20	E1195-04	Base w/ Grip	1
21	E1195-06	Release Lever Spring	1
22	E1195-09	Handle	1
23	E1195-10	Windlass	1
24	E1195-25	Windlass Spacer	1



10/6/20 REV. F



Complete Packaging Products
 2661 American Drive Troy, MI 48083
www.completepackagingproducts.com
 248-616-0570