

# Signode SRC-1223

## Steel Manual Sealer 1/2"

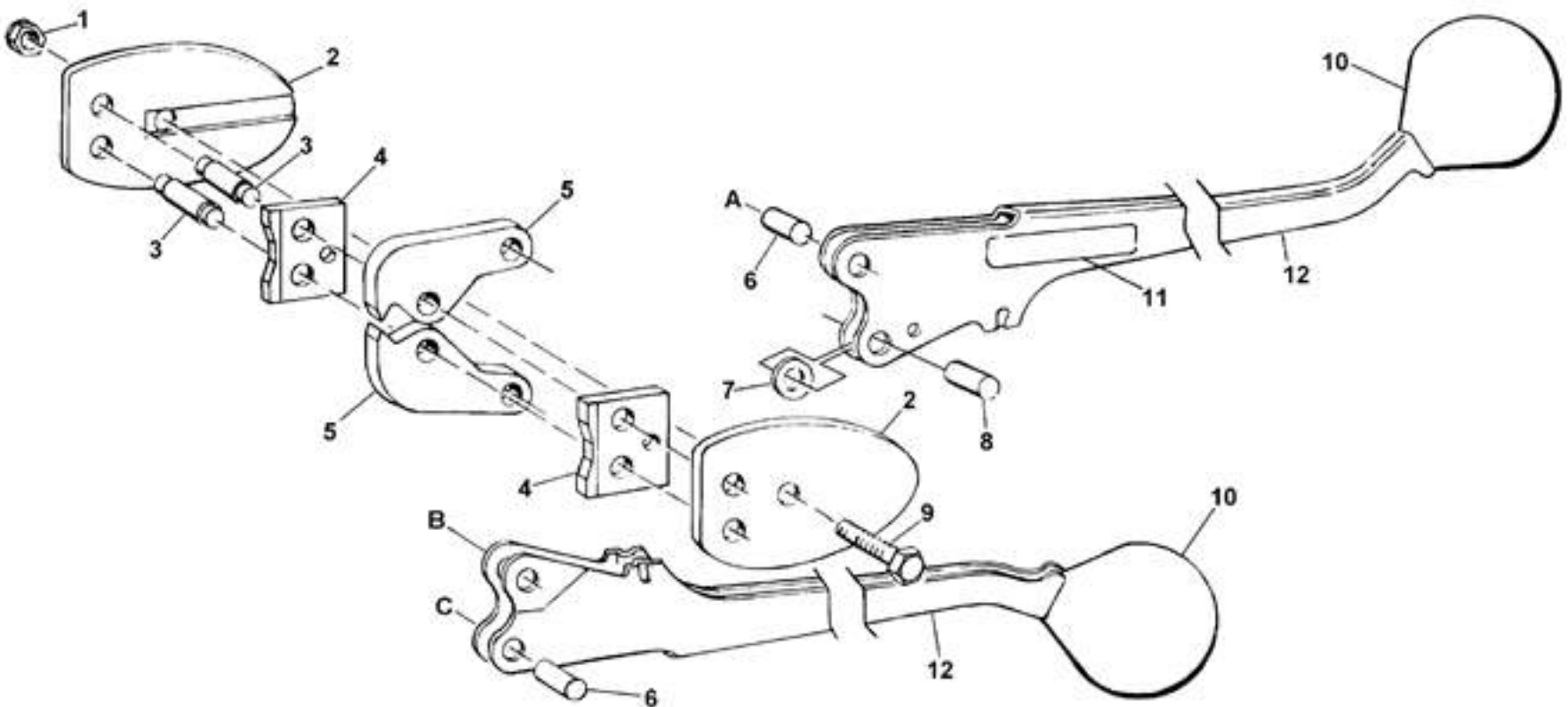
### Single Reverse Notch

#### PARTS LIST

KEY	QTY.	PART NO. SRC-3820	PART NO. SRC-1223	PART NO. SRC-5823	PART NO. SRC-3423	DESCRIPTION
1	1	<u>004526</u>	<u>004526</u>	<u>004526</u>	<u>004526</u>	Flexloc nut, thin, 1/4-28
2	2	<u>008637</u>	<u>008653</u>	<u>008636</u>	<u>008638</u>	Side plate
3	2	<u>008619</u>	<u>008619</u>	<u>008619</u>	<u>008619</u>	Jaw pin
4	2	<u>008649</u>	<u>008644</u>	<u>008646</u>	<u>008641</u>	Stationary notcher
5	2	<u>008643</u>	<u>008639</u>	<u>008639</u>	<u>008642</u>	Jaw
6	2	<u>008627</u>	<u>008627</u>	<u>008627</u>	<u>008627</u>	Tie pin
7	1	007492	007492	007492	007492	Spacer washer, 1/4 std. SAE
8	1	<u>008628</u>	<u>008628</u>	<u>008628</u>	<u>008628</u>	Guide pin
9	1	<u>008621</u>	<u>008621</u>	<u>008621</u>	<u>008621</u>	Bolt, 1/4-28 x 1
10	2	<u>008648</u>	<u>008648</u>	<u>008648</u>	<u>008648</u>	Knob, press on
11	1	003133	003133	003133	003133	Caution sign
12	2	<u>008660</u>	<u>008660</u>	<u>008660</u>	<u>008660</u>	Sealer handle assembly

#### NOTES:

1. When ordering parts, please show tool model, part number and name.
2. All recommended spare parts are underlined and should be stocked.
3. Standard hardware parts may be obtained from local hardware suppliers.



#### MAINTENANCE

1. Inspect tool daily for worn or broken parts and replace if necessary.
2. Clean tool and apply light machine oil to all moving parts - weekly.

[www.completepackagingproducts.com](http://www.completepackagingproducts.com)  
TollFree: 866-787-2790

