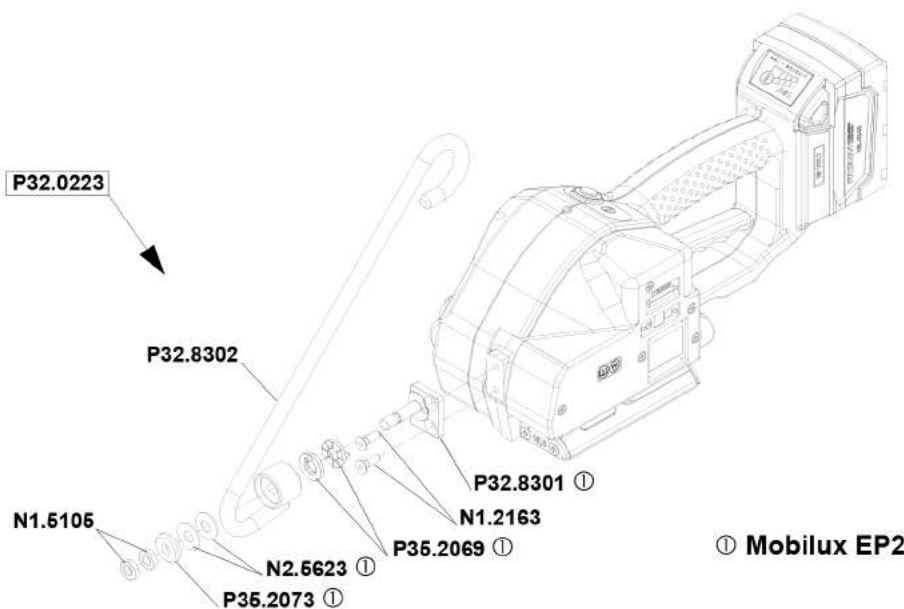


4.5 Suspension

When working stationary the P329 can be suspended at a spring loaded balancer by using a suspension bracket. For working in normal position a stiff suspension bracket with screws and washers can be ordered under item number P32.0231.



With the swivel mounted suspension bracket the package can be strapped in various working positions. The complete suspension bracket can be ordered under item number P32.0223.



4.6 Turning button kit

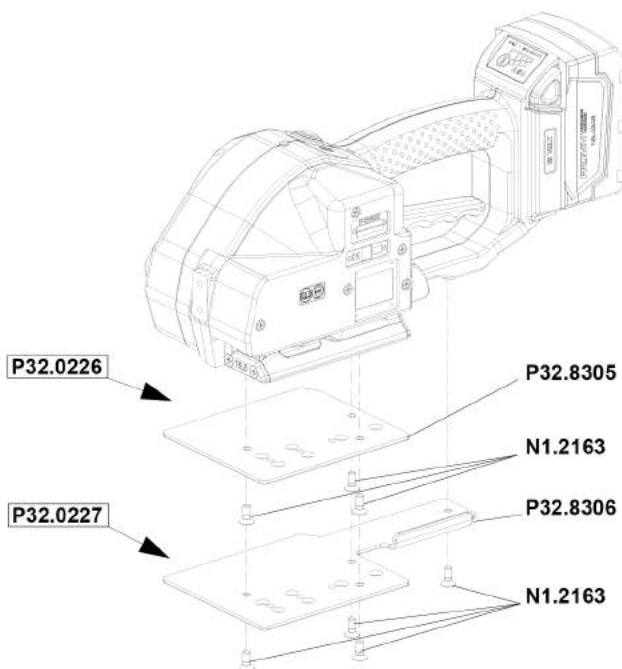
For a remaining adjustment of tension force and welding time. After exchanging of the turning buttons the adjustment can only be changed with the allen key (2mm) that comes with the kit. The kit can be ordered under the item number P32.2061.

4.7 Wearing plate

As an option, the tool can be equipped with a wearing plate to protect the base from excessive wear on abrasive package surfaces.

The complete wearing plate can be ordered together with the fastening screws under item number P32.0226.

If the complete bottom side of the tool has to be protected, the plate P32.0227 must be used.



COMPLETE PACKAGING PRODUCTS
2661 AMERICAN DRIVE TROY, MI 48083
866-787-2790
WWW.COMPLETEPACKAGINGPRODUCTS.COM