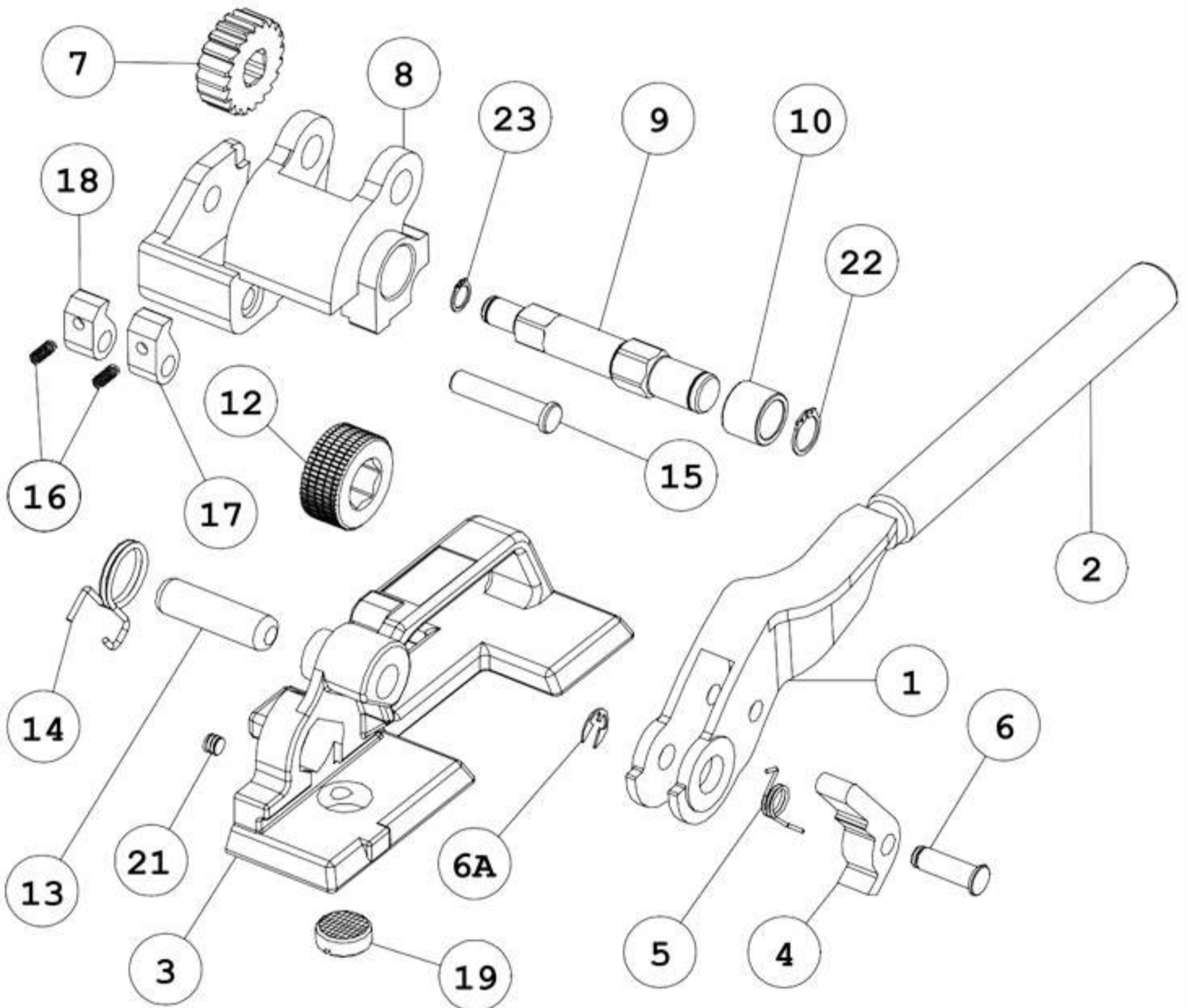


# MIP-1200

## Steel Strap Tensioner

### MIP - 1200 STEEL STRAP TENSIONER



KEY#	DESCRIPTION	QTY	PART#
1	Handle Assembly	1	M1200-1
2	Handle Grip	1	M1200-2
3	Base	1	M1200-3
• 4	Handle Pawl	1	M1200-4
• 5	Handle Pawl Spring	1	M1200-5
6	Crosshead Pin	1	M1200-6
• 6A	Retaining Ring	1	M1200-6A
• 7	Ratchet Gear	1	M1200-7
8	Support Frame	1	M1200-8
9	Shaft	1	M1200-9
• 10	Bushing	1	M1200-10

KEY#	DESCRIPTION	QTY	PART#
• 12	Feedwheel	1	M1200-12
13	Support Pin	1	M1200-13
• 14	Support Frame Spring	1	M1200-14
15	Retaining Pawl Pin	1	M1200-15
• 16	Pawl Spring	2	M1200-16
• 17	Long Pawl	1	M1200-17
• 18	Short Pawl	1	M1200-18
• 19	Clutch Plug	1	M1200-19
• 21	Clutch Plug Set Screw	1	M1200-21
• 22	Retaining Ring - Large	1	M1200-22
• 23	Retaining Ring - Small	1	M1200-23

Reference part number when ordering.  
 • Key wear part  
 Read all operating & safety instructions.



[www.completepackagingproducts.com](http://www.completepackagingproducts.com)  
 Toll Free: 866-787-2790