

EP-6700-25

Motorized Ring Wrapper

Easily Encircles Obscure Size Bundles

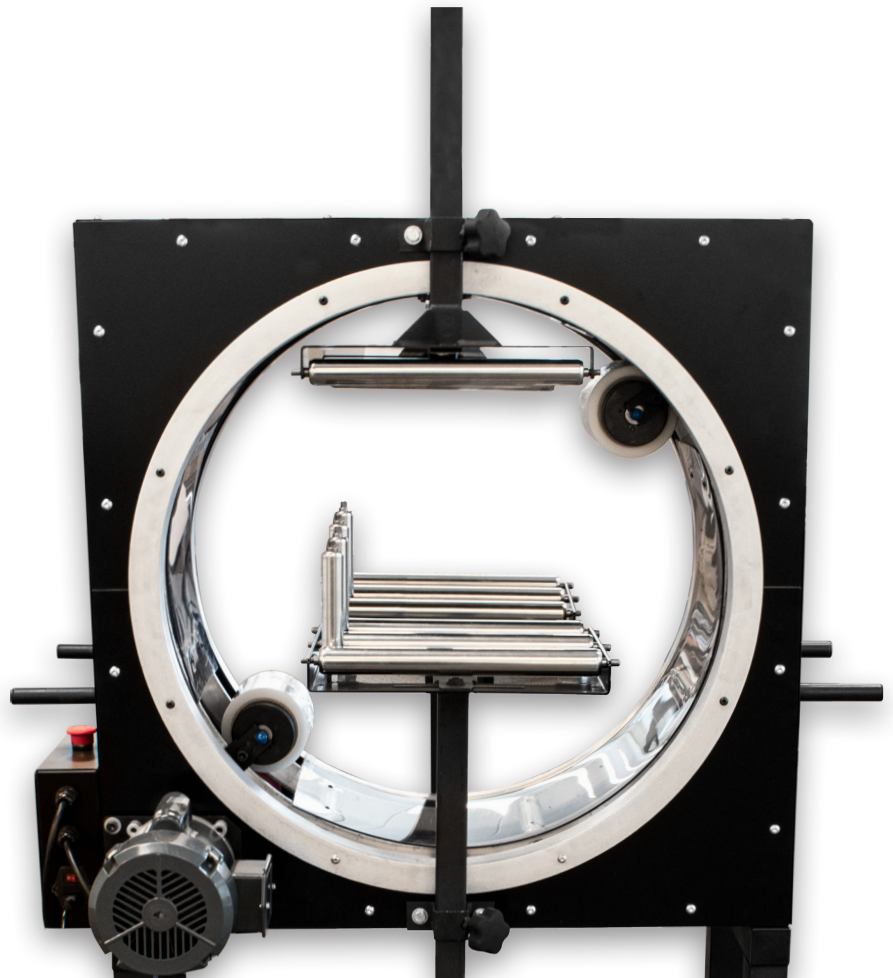
Measuring 25" in diameter, the *Motorized Ring Wrapper* is designed to accommodate and secure a variety of bundles. Its 3"- 5" film bundling mechanism encircles standard size boxes, as well as aluminum or wood extensions, door frames, piping, logs, and lumber.

The EP-6700-25 can easily be added to an assembly line when paired with the EP-6700-25-ST *Adjustable Support Table*. The wrapper comes with flat or V-shape conveyor rollers, allowing packages to smoothly slide through while film is wrapped 360° around.

Other features include:

- Made in the USA
- Max Box Size: 13" x 13"
- Adjustable tension
- Foot pedal operated

** EP-6700-25-ST Adjustable Support Table sold separately (Flat or V-shape rollers, specify when ordering)*



MADE IN USA

P (847) 735-8105 | F (847) 735-8297
sales@encorepack.com | www.encorepack.com
201 Park Avenue, Lake Villa, IL 60046
P.O. Box 595, Winnetka, IL 60093 USA

DATA SHEET EP-6700-25

MOTORIZED RING WRAPPER



Model/Version	Film Width	Motor Voltage	RPM
EP-6700-25	3" – 5"	110V a.c.	66
Stretch Potential	Cord Length	Ring Dimensions	Weight
10% – 30%	Power Cord: 9' / 2.7 m Foot Pedal Cord: 9' / 2.7 m	Radius: 12.5" / 317.5 mm Diameter: 25" / 635 mm	Wrapper: 185 lbs / 84 kgs w/ Stand: 60 lbs / 27 kgs

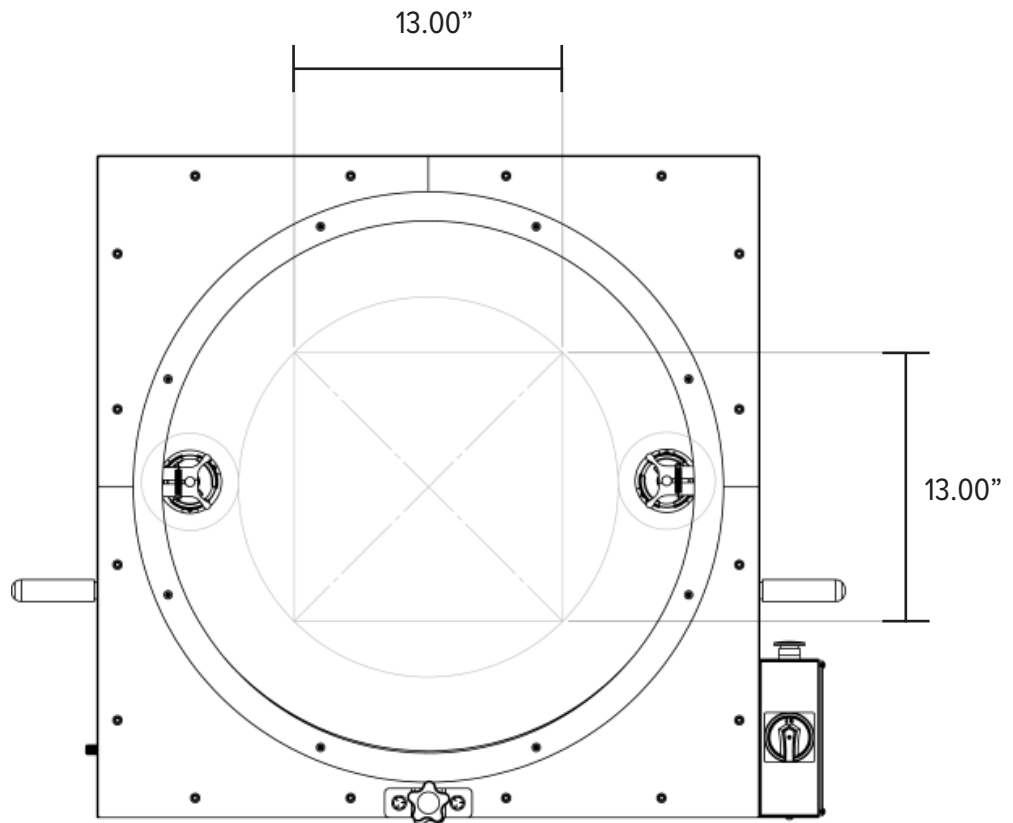
Dimensions

Length: 43" / 1 m (w/ handles)
 Width: 25" / 635 mm (w/ motor)
 35½" / 901 mm (w/rollers)
 Height: 34¼" / 870 mm
 Height w/ Stand:
 70¾" / 1.8 m MAX
 63¾" / 1.6 m MIN
 Roller Height to Table:
 55.5" / 1.5 m MAX
 36" / 914 mm MIN

Stand Dimensions

Length: 38½" / 978 mm
 Width: 41" / 1041 mm
 Height: 39" / 990 mm MAX
 29½" / 749 mm MIN

Max Box Size



P (847) 735-8105 | F (847) 735-8297
 sales@encorepack.com | www.encorepack.com
 201 Park Avenue, Lake Villa, IL 60046
 P.O. Box 595, Winnetka, IL 60093 USA

MADE IN USA