

1.1 ACCESSORIES

1.1.1 Battery

Use only original Fromm batteries N5.4349 (Li-Ion).

1.1.2 Battery chargers

The battery charger must be ordered separately according to the table mentioned below.

Item-No.	Voltage / frequency	Admitted for country
N5.4443	220 - 240V / 50 - 60Hz	A, B, BG, BIH, BOL, BR, BY, CH, CL, CZ, D, DK, DZ, E, EAS, EST, ET, F, FIN, GE, GR, H, HK, HR, I, IL, IND, IR, IRQ, IS, JOR, KSA, KWT, L, LAR, LT, LV, MA, MC, MK, MOC, N, NL, P, PK, PE, PL, PRC, PY, RA, RCH, RI, RL, RO, ROK, ROU, RP, RUS, S, SK, SLO, SYR, THA, TN, TR, UA, (UAE), YU, YV, (BRN), (BRU), (CY), (EAK), (EAT), (GB), (IRL), (M), (MAL), (OM), (SGP), (Y), (Z), (ZA), (ZW)
N5.4447	120V / 50 - 60Hz	BR, C, CDN, CO, CR, DOM, EC, GCA, J, JA, KSA, LB, MEX, NIC, PA, Puerto Rico, RC, RP, USA, YV
N5.4445	220 - 240V / 50 - 60Hz	AUS, NZ

(..) = an adaptor N52.2102 is required.

1.1.3 Battery tester

Information to the Battery tester you will get by FROMM System GmbH.

(see 1.10 SERVICE ADDRESS)

1.1.4 Memory reader for circuit board

To read the memory information of the tools circuit board the reader N7.5154 can be ordered.

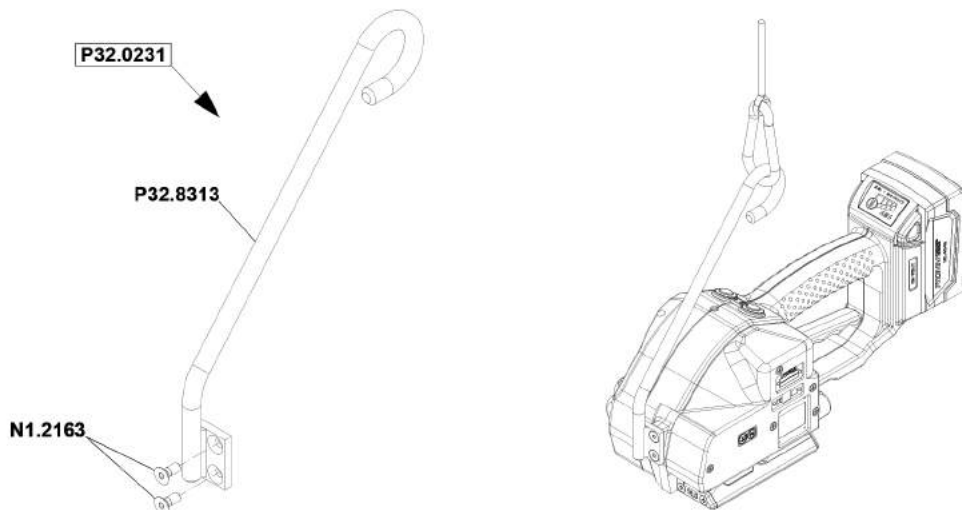
With this the following data could be read:

- software version
- date of software
- strapping cycles
- calibration current

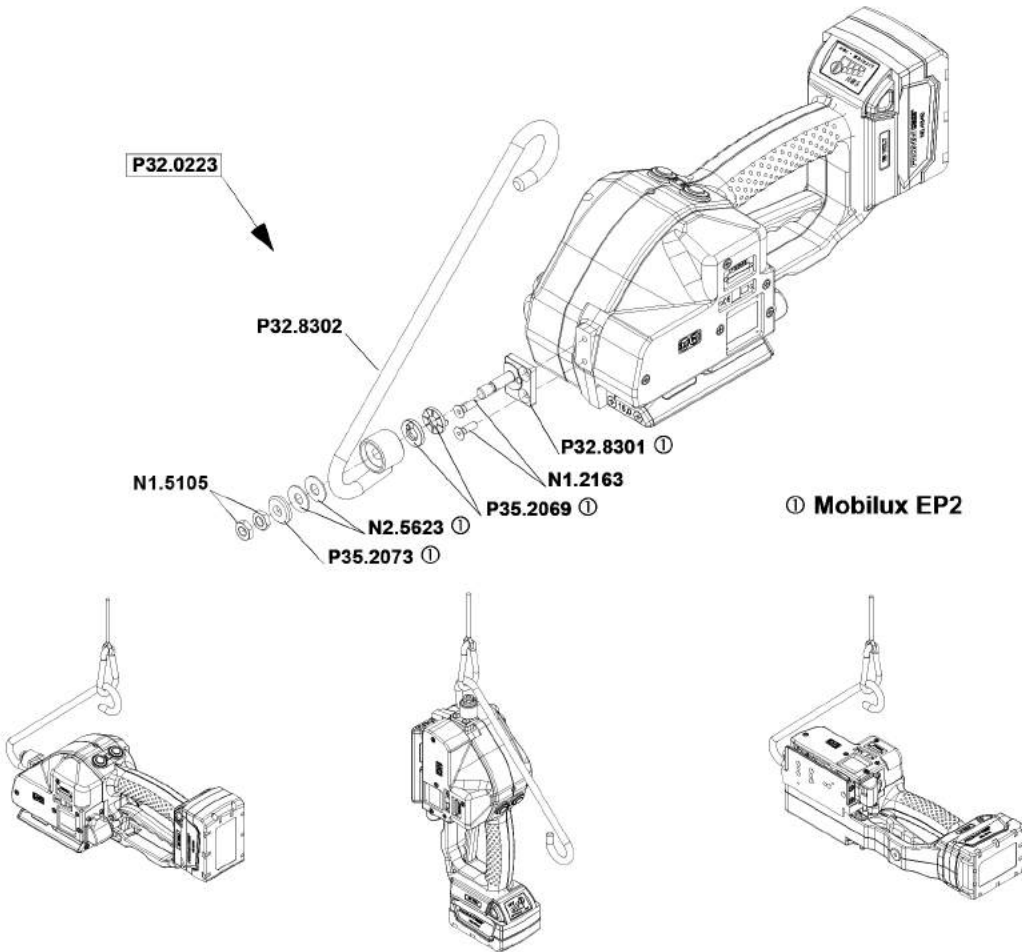
1.1.5 Suspension

When working stationary the strapping tool can be suspended at a spring loaded balancer by using a suspension bracket.

For working in normal position a stiff suspension bracket with screws and washers can be ordered under item number P32.0231.



For working in alternating positions a turnable suspension bracket with screws and washers can be ordered under item number P32.0223.



1.1.6 Fan

In order to avoid overheating of the motor we recommend at environmental temperatures above 40°C / 104°F using the optional fan P32.0228.
(see 1.4.7 Assembly information)



COMPLETE PACKAGING PRODUCTS
2661 AMERICAN DRIVE TROY, MI 48083

866-787-2790

WWW.COMPLETEPACKAGINGPRODUCTS.COM