

# Signode RDC-3431 Steel Manual Sealer 3/4" Double Reverse Notch

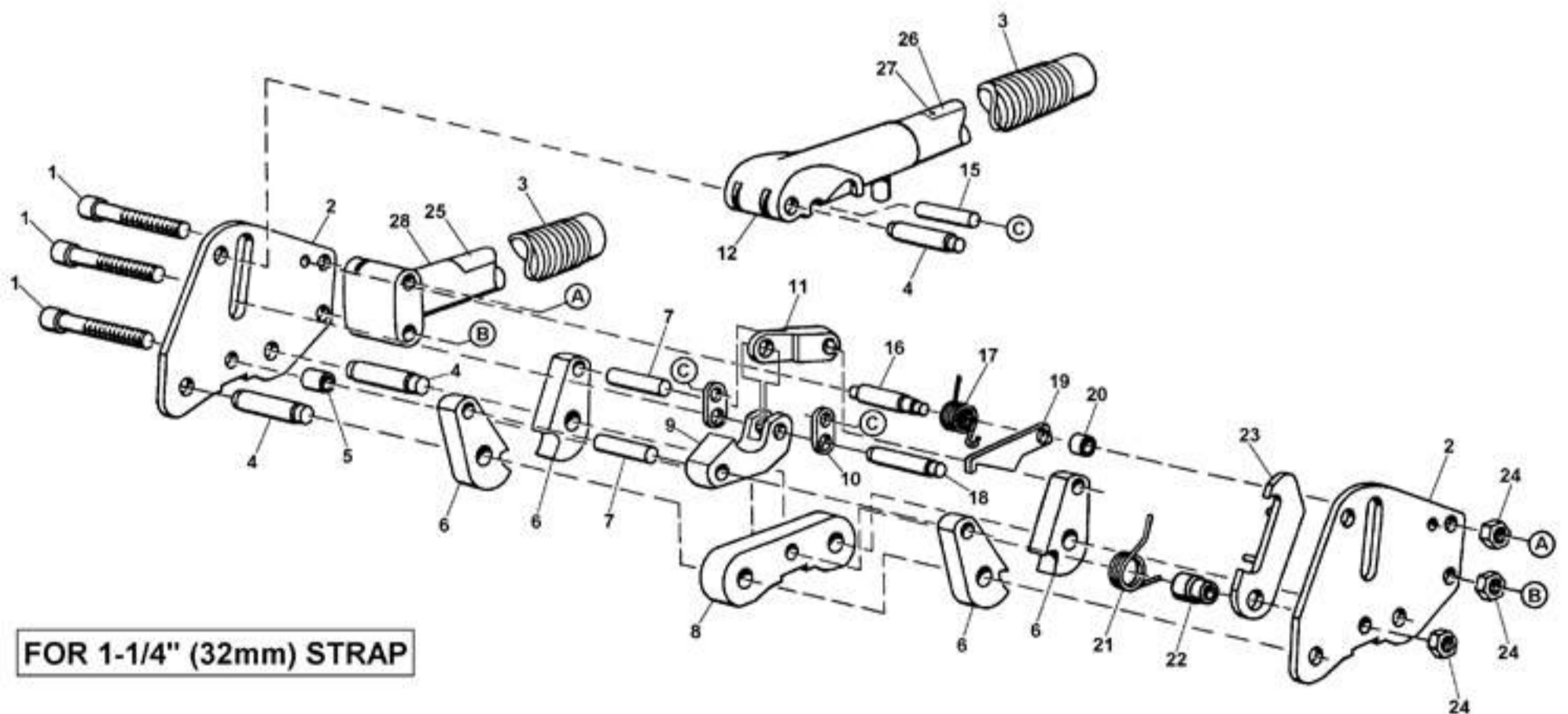
## RCD-1431, PARTS LIST

KEY	QTY.	PART NO.	DESCRIPTION
1	3	020370	SHCS, 5/16-24 x 2 1/16
2	2	<u>020369</u>	Side plate
3	2	<u>020378</u>	Handle grip
4	3	<u>020366</u>	Jaw pin
5	1	<u>020368</u>	Spacer
6	4	<u>020365</u>	Jaw
7	2	<u>020361</u>	Toggle link pin
8	1	<u>020367</u>	Notcher
9	1	<u>020360</u>	Toggle link female
10	2	<u>020362</u>	Short link
11	1	<u>020359</u>	Toggle link male
12	1	<u>020373</u>	Upper handle arm assy
15	1	<u>020363</u>	Short link pin
16	1	<u>020355</u>	Latch trigger pin
17	1	<u>020357</u>	Trigger spring
18	1	<u>020364</u>	Link pin
19	1	<u>020356</u>	Latch trigger
20	1	<u>020358</u>	Trigger spacer
21	1	<u>020354</u>	Latch spring
22	1	<u>020353</u>	Latch spacer
23	1	<u>020351</u>	Latch
24	3	003911	Flexloc nut, thin, 5/16-24
25	1	003132	Danger sign
26	1	002480	Name plate
27	2	004939	Drive screw
28	1	<u>020375</u>	Lower handle arm assy

## WARNING

Inspect all parts daily and replace them if they are worn or broken. Failure to do this can affect a product's operation and could result in serious personal injury.

- When ordering parts, please show tool model, part number and description.
- All recommended spare parts are underlined and should be stocked.
- Standard hardware parts may be obtained from local hardware suppliers.



[www.completepackagingproducts.com](http://www.completepackagingproducts.com)  
TollFree: 866-787-2790



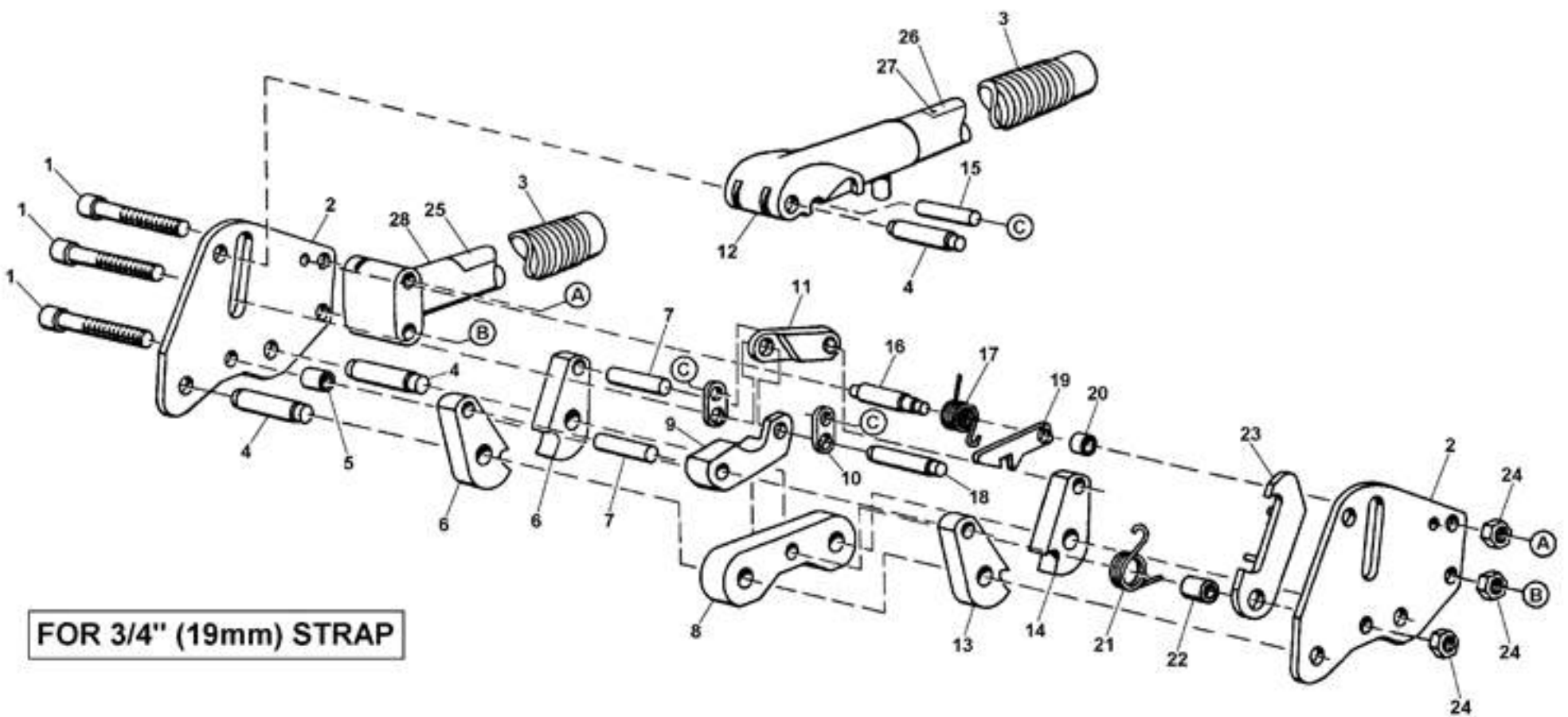
# RCD-3431, PARTS LIST

KEY	QTY.	PART NO.	DESCRIPTION
1	3	004972	SHCS, 5/16-24 x 1 3/4
2	2	<u>020554</u>	Side plate
3	2	020378	Handle grip
4	3	<u>020573</u>	Jaw pin
5	1	020577	Spacer
6	2	<u>020556</u>	Jaw
7	2	<u>020571</u>	Toggle link pin
8	1	<u>020559</u>	Notcher
9	1	<u>020568</u>	Link
10	2	<u>020569</u>	Short link
11	1	<u>020567</u>	Long link
12	1	<u>020565</u>	Upper handle arm assy
13	1	020557	Left jaw
14	1	020558	Right jaw
16	1	<u>020574</u>	Trigger pin
17	1	<u>020563</u>	Trigger spring
18	1	<u>020572</u>	Link pin
19	1	<u>020566</u>	Trigger
20	1	020358	Trigger spacer
21	1	<u>020564</u>	Latch spring
22	1	<u>020576</u>	Latch spacer
23	1	020351	Latch
24	3	003911	Flexloc nut, thin, 5/16-24
25	1	003132	Danger sign
26	1	002480	Nameplate
27	2	004939	Drive screw
28	1	020555	Lower handle arm assy

## WARNING

Inspect all parts daily and replace them if they are worn or broken. Failure to do this can affect a product's operation and could result in serious personal injury.

- When ordering parts, please show tool model, part number and description.
- All recommended spare parts are underlined and should be stocked.
- Standard hardware parts may be obtained from local hardware suppliers.



[www.completepackagingproducts.com](http://www.completepackagingproducts.com)  
TollFree: 866-787-2790

